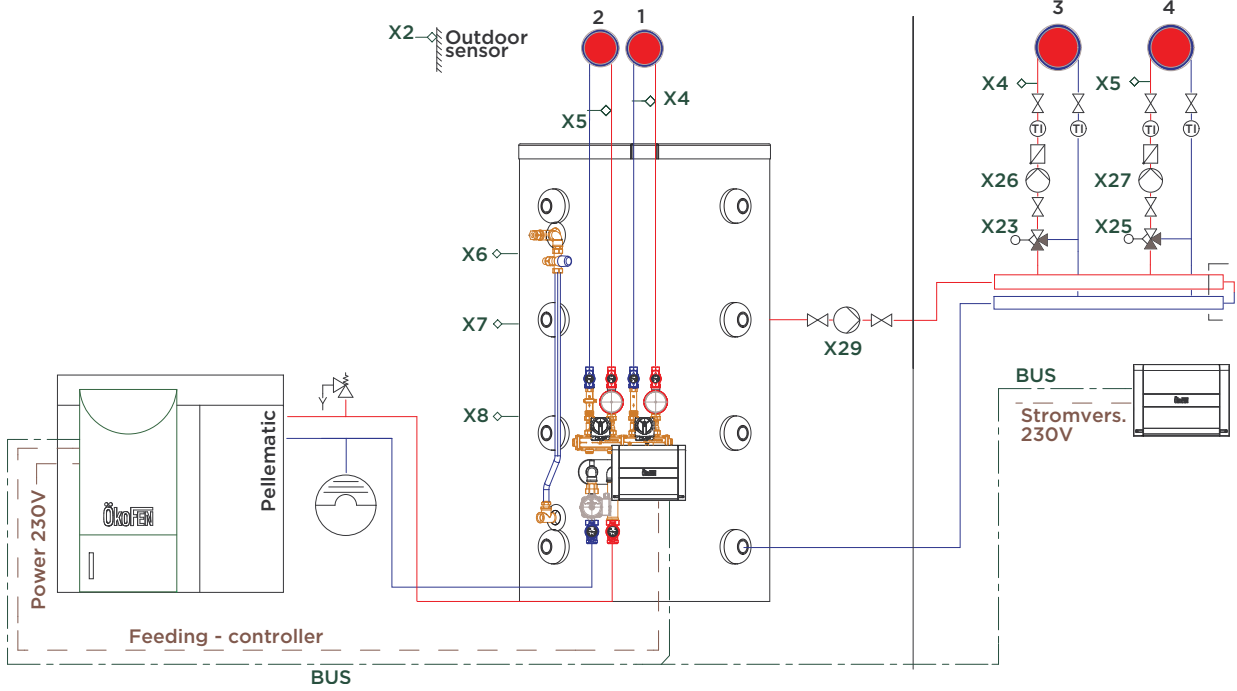


**8.8.1.9 Diagram 9**

1 Boiler Pellematic - 1 Accumulator Pellaqua - 2 Heating circuits - 1 Heat main pump



**8.8.1.10 Diagram 10**

2 Boilers Pellematic - 1 Hydraulic separator - 4 Heating circuits

